

**D-SERIES CRAWLER EXCAVATORS**  
**CX210D**

**CASE**  
CONSTRUCTION



**IT'S TIME**  
**FOR MORE**

[www.casece.com](http://www.casece.com)  
**EXPERTS FOR THE REAL WORLD**  
**SINCE 1842**

# HERITAGE

## A TRADITION OF INDUSTRY FIRSTS



## EXPERTS FOR THE REAL WORLD

### SINCE 1842

- 1842** CASE is founded.
- 1869** The first CASE portable steam engine - road construction is born.
- 1957** The first factory - integrated loader/backhoe in the world: a CASE industry first.
- 1969** CASE begins skid steer loader production.
- 1992** Sumitomo becomes supplier to CASE Corporation distributing excavators ranging from 7 to 80 tons.
- 1998** Global Alliance signed between CASE Corporation and Sumitomo.
- 2001** CASE introduces the first of its CX excavators, powerful new "thinking machines" designed to enhance productivity through onboard intelligence features.
- 2007** CX210B is awarded the «Good Design Award» by the design Academy of Japan.
- 2008** CX210B wins the 18th «Energy Conservation Award» from the Agency for Natural Resources and Energy of the Japanese Ministry of Economy.
- 2011** CASE becomes the first construction equipment manufacturer to offer both selective catalytic reduction and cooled exhaust gas recirculation as solutions to meet stringent emissions standards.
- 2015** CASE launches the new "D series" Tier 4 final/ EU Stage IV Crawler Excavators.
- 2018** Stage V production for models CX350D and above.

# CRAWLER EXCAVATORS D-NA

## BUILT TO LAST AND CONTROL



### HIGH RELIABILITY

#### Improved D-esign for D-urable performances

- The boom and arm have been re-designed according to the latest stress analysis criteria to reduce stress points while maintaining weight optimization to ensure the best lifting performance.
- New high strength casting parts with joined hinge flanges reduce stress and increase durability.
- The undercarriage has been re-designed and re-shaped to facilitate the welding process, enhancing the reliability of the fabricated structures.
- The One-Side-Slope lower frame design reduces the time needed to clean the undercarriage.
- The thickness of the structural plates has been increased, especially in those parts where a high level of protection is required for components.

### HIGH QUALITY

#### Accurate, simple and robust design for high durability

- True to CASE's enviable reputation for reliability and durability, the D-Series delivers leading design solutions and manufacturing quality.
- Wide choice of arm solutions, including the heavy-duty arm with reinforcement plate and bars on the bottom side.



### HIGH PRECISION AND CONTROLLABILITY

#### Smooth control with the CASE Intelligent Hydraulic System

The proven CASE Intelligent Hydraulic System (CIHS) delivers impressive machine control with unrivalled energy savings in all cycle time phases (digging, boom up and swing, dumping).

# D-SERIES CRAWLER EXCAVATORS



## HIGH VERSATILITY

Working modes easily adapt to every work load

The familiar working mode systems offers 3 power modes to match different customer needs.

- A** MODE for grading, lifting and precision work.
- H** MODE the best balance between productivity and fuel economy.
- SP** MODE extra speed and power for the most demanding jobs that require maximum productivity.

**Auto Power boost** automatically increases hydraulic pressure according to the operation's demands.



## FAST CYCLES

High performance hydraulics control

- The new electrically controlled pumps and a bigger main control valve deliver faster cycle times.
- Oil flow can be adjusted according to working needs, or increased smoothly while starting travel and boom down.
- As a result, the machine responsiveness to operation load is multiplied, resulting in cycle times up to 12% faster than the previous generation.

# PRODUCTIVITY

## IT'S TIME FOR BIGGER PERFORMANCE



### HIGH EFFICIENCY

#### Great performances with low fuel consumption

CASE advanced energy management provides solid fuel saving opportunities and lower emissions, and helps to prolong the life of the machine. It consists of 6 Energy Saving controls:

- Torque control decreases main pump loads to prevent a drop in engine rpm, with improved sensitivity to control/monitor main pump loads
- Boom Economy Control (BEC) Increased fuel efficiency during boom lower and swing operations, like dump unloading
- Swing Relief Control (SWC) Carefully manages the hydraulic power distribution in slewing operations to deliver the most efficient flow and pressure.
- Spool Stroke Control (SSC) Creates an automatic pressure adjustment during digging and leveling operations.
- Idle functions: the Auto Idle function lowers engine rpm after 5 seconds of lever inactivity whatever the throttle position, while the Idle Shutdown function shuts the engine down after a pre-setted time. Both are manually switchable.
- Boom Oil Regeneration (BOR) uses the boom down movement to make arm opening faster with pump power saving.



### CLEAN AND MAINTENANCE-FREE POWER

#### EU Stage IV/TIER4 Final compliant CASE engines

- Maintenance-free SCR and DOC-only solution
- No Diesel Particulate Filter (DPF) or regeneration are required as no solid particles remain trapped into the system, resulting in maximum uptime and lower operating costs.
- High engine efficiency of the latest generation, electronically controlled, high pressure common rail with multi-injection engine ensures great performances and low fuel consumption.
- CASE adds a Variable Geometry Turbocharger to ensure a fast transient response of the engine while minimizing fluid consumption.
- The system is also very economical in its use of AdBlue, which is just 2.5%- 3% of fuel consumption. The large AdBlue tank only needs to be refilled every 10 fuel refills, so that no time is wasted.

# D-SERIES CRAWLER EXCAVATORS



## COMFORTABLE AND SAFE CAB

The ultimate interior cab configuration

- Superior cab structure with ample legroom for the operator.
- Fully adjustable workstation
- New ergonomically designed highback seat with air -suspension for excellent comfort.
- Optional seat tilting adjustment and seat heater.
- Top class features include 178 mm colour LED Monitor, bluetooth tuner and Radio, spacious storage compartment, 12v accessory plug, clipboard holder, mobile phone holder, warm and cool box, fuse box service connection, storage tray and ergonomic arm rest.



## SMOOTH RIDE, QUIET WORK ENVIRONMENT

Soundproof pressurised cab

- The cushioning system lowers noise and vibration levels for the operator's ultimate comfort.



# COMFORT RULES FIRST CLASS CAB AND SEAT



# D-SERIES CRAWLER EXCAVATORS



## SAFE OPERATION

### ROPS cab and FOPS level II

A safe working environment for the operator:

- Reinforced structure of the cab compliant with ROPS/FOPS requirements.
- Standard head protection approved to FOPS Level 2.
- Wide offering of optional front guards.
- Optional factory fitted travel alarm for greater safety on the jobsite around the machine.



## OUTSTANDING VISIBILITY

### Safety-minded cab structure

Cab designed to create a perceptibly safe and secure working environment:

- Ample glazed surface
- Rear and side view camera
- Unique 178 mm LED monitor with continuous camera view
- Efficient use of space with grouped engine, cooling and after-treatment systems to provide excellent rear visibility.
- Optional LED lighting package provides a deeper and wider visibility coverage of the area around the machine when working after dark.





# SAFETY AND MAINTENANCE

## WORK SAFELY IN ALL CONDITIONS



### SAFE ACCESS TO UPPERCARRIAGE

Solid and robust platform and handrails

- Wide, robust and comfortable steps for safe access to the top of the hood.
- Solid handrail for protection on the top of the hood.
- Non slip-plates and top hood cover are supported by 2 gas pistons and secured by 2 mechanical stops when open.
- A wide platform (up to 60 cm) on top of the engine compartment to work safely on the engine box.



### SAFE AND EASY MAINTENANCE

CASE stays «grounded»

- All filters and regular fill points are grouped for easy access.
- Engine oil change intervals set at 500 hours.
- Radiator and cooler cores mounted side by side for easy access for cleaning and more efficient cooling.
- Standard 100 l/min refueling pump with automatic cut off reduces downtime for regular fills.
- Optional hydraulic and engine oil sampling port accessible at ground level for easy oil check.
- Battery Shutdown Switch for safe maintenance on the electrical system.
- All the D-series crawler excavators feature the Extended Maintenance System (EMS) bushings, providing 1,000 hour greasing intervals on all pins except the attachment linkage.



# MAIN REASONS TO CHOOSE THE D-SERIES



## THE SECRET FOR HIGH PRECISION AND CONTROLLABILITY

is the CASE Intelligent Hydraulics System (CIHS) which is the result of continuous pursuit of perfection of a legendary brand. CASE is synonymous and reference in the market for its fastest cycles times, best energy saving performance and smooth control



## HIGH RELIABILITY

Reliability and durability with the new redesigned arm, boom and undercarriage



## HIGH VERSATILITY

- 3 available power modes to match customer needs (A, H, SP)
- Auto Power boost job-sensing hydraulic pressure increase



## HIGH EFFICIENCY

- Energy saving system to take advantage of all fuel saving opportunities: up to 8% more fuel efficiency
- High levels of AdBlue autonomy with larger AdBlue tank and low additive consumption





## **FAST CYCLES (UP TO 12%)**

- New electronically controlled hydraulic pumps
- New larger main valve



## **OUTSTANDING VISIBILITY**

- Wide glazed area
- Rear and side view cameras
- Large LED monitor
- Optional LED lighting package



## **SMOOTH RIDE, QUIET WORK ENVIRONMENT**

- Cab with cushioning system
- Low noise and vibration



## **COMFORTABLE AND SAFE CAB**

- Extra spacious cab
- Fully adjustable workstation
- New high back seat



## **LOW EMISSIONS**

- EU Stage IV/Tier4 final compliant
- No DPF
- DOC and SCR-only maintenance-free components



## **SAFE OPERATION AND MAINTENANCE**

- ROPS cab and FOPS level II
- Standard extended handrails and guardrails
- Optional factory fitted travel alarm
- Maintenance points grouped for easy and safe access



## THE SCIENCE BIT

The CASE SiteWatch telematics system uses a high-tech control unit mounted on each machine to collate information from that machine and from GPS satellites. This data is then sent wirelessly through the mobile communication networks to the CASE Telematics Web Portal.



## SiteWatch: centralised fleet control benefits at your fingertips

### Measure your true asset availability and optimise it

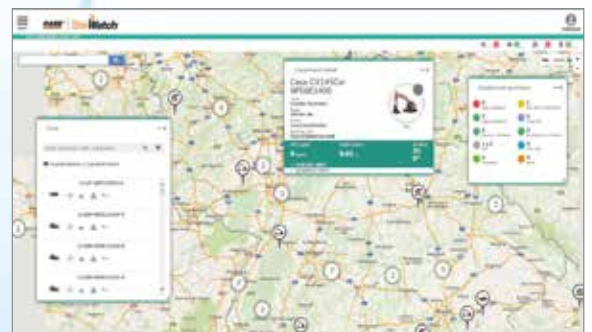
- Eliminate the “phantom fleet”: SiteWatch allows to identify spare units or under loaded machines on each site.
- Become able to reallocate units where they are more needed.
- Forward maintenance planning is easier since the actualised working hours are always available.
- Extend the benefits of SiteWatch to the rest of your fleet: SiteWatch can be installed on the units of other brands as well.

### Challenge your Total Cost of Ownership!

- Being able to compare the fuel usage of different machine types will allow you choose the right equipment.
- Save on transport costs with planned and grouped maintenance tasks.
- Peace of mind, optimised uptime and lower repair costs: with preventive maintenance you can for example be alerted if the engine needs to be serviced and avoid a disruptive breakdown.
- Be able to compare your asset Return on Investment on different sites.
- Your equipment is used only during working hours. You can set up alerts so that you know if it is in use during the weekend or at night.
- Integrate with the programmed maintenance package, so that you can be sure every machine is at the right place at the right time.

### More safety, lower insurance premium

- Keep thieves away: dissuade them from attacking your asset because it is geo-localised. SiteWatch is hidden so that thieves can't find it quickly.
- Your fleet is used only where you decide. You can define a virtual fence and receive an email when a machine exits that perimeter.



# STANDARD AND OPTIONS

## STANDARD EQUIPMENT

### ENGINE

Isuzu 4-cylinder turbo-charged diesel  
Tier 4 Final/EU stage IV Certified  
Selective Catalytic Reduction (SCR)  
Diesel Oxidation Catalyst (DOC)  
Cooled Exhaust Gas Recirculation (CEGR)  
VGT turbocharger  
Electronic fuel injection  
High pressure common rail system  
Neutral safety start  
Auto-engine warm up, emergency stop  
Glow-plug pre-heat  
EPF (Engine Protection Feature)  
Dual-stage fuel filtration  
Dual element air filter  
Remote oil filter  
Green plug oil drain  
500-hour engine oil change interval  
24-Volt system  
Battery disconnect switch  
High ambient temperature cooling package  
External Fuel and AdBlue gauges  
Fuel cooler  
Fuel filter restriction indicator  
Fuel shut-off valve  
Idle start  
Radiator, oil cooler, intercooler – protective Screen  
Refueling Pump

### FUEL ECONOMY SYSTEMS

Engine Idle/Fuel Economy System:  
Auto-idle  
One-touch idle  
Auto-idle shut-down  
Torque control  
Boom Economy Control (BEC)  
Swing Relief Control (SWC)  
Spool Stroke Control (SSC)

## OPTIONAL EQUIPMENT

### HYDRAULICS

Clamshell circuit  
Low-flow circuit, proportional control  
Single acting pedal activated hammer circuit  
Single acting hammer circuit with electrical proportional control  
Multifunction (hammer/high flow) circuit with electrical proportional control

### HYDRAULICS LONG REACH ONLY

Clamshell circuit  
Low-flow circuit, proportional control  
Double acting with electrical proportional control

### HYDRAULICS

Electronically controlled hydraulic pumps  
Auto power boost  
Auto travel speed change  
Selectable work modes  
Overload warning device  
ISO pattern controls  
Pre-set auxiliary pump settings  
Switch controlled auxiliary selection  
Auxiliary valve  
Hydraulic filter restriction indicator  
Oil cooler  
5,000 hour hydraulic oil change interval  
2,000 hour hydraulic filter change interval

### UPPERSTRUCTURE

ISO mirrors  
Handrail – RH access  
ISO guard rails  
Isolation mounted cab (fluid and spring)  
Lifting eyes for counterweight  
Lockable fuel cap, service doors and toolbox  
Rear and side view safety camera

### OPERATOR STATION

ROPS protection  
FOPS guard OPG level II  
Pressurized cab  
Tempered safety glass  
One-touch lock front window  
Sun visor&rain deflector  
AC/heat/defrost w/auto climate control  
Hot&coolbox, cup holder & ashtray  
Interior dome light  
Cloth covered air-suspension high-back seat  
Sliding seat – 90 mm  
Seat-belt  
Adjustable armrests  
Tilting consoles - 4-position  
Low-effort joystick controls

### ATTACHMENTS

HD arm 1.90 m (CX210D)  
Arm 2.94 m

### OPERATOR STATION

Front cab guard - vertical bars (OPG level 2)  
Front cab guard - vertical bars (OPG level 1)  
Front mesh screen  
Travel alarm  
AM/FM CD/radio with antenna and 2-speakers  
LED working lights  
Side view camera with LED lights (right and left)

Sliding cockpit 180 mm  
Auxiliary select system  
Aux-in port for personal electronics  
Multifunction LED color monitor (180 mm)  
26 selectable languages for monitor  
Anti-theft system (start code system)  
Rubber floormat  
12-volt electric socket  
24-volt cigarette lighter  
One-piece right hand window  
working lights (boom&upperstructure)  
cab top working lights  
Windshield wiper / washer  
Clear (Lexan) roof window w/sunshade  
Storage compartments  
On-board diagnostic systemTorque control

### ATTACHMENTS

Standard boom 5.7 m  
2 piece boom  
Long Reach boom 8.7 m (CX210D Long Reach)  
Arm 2.40 m (CX210D)  
Arm 6.40 m (CX210D Long Reach)

### UNDERCARRIAGE

600 mm steel triple grouser shoes  
Full overlap turntable bearing tub  
Sealed link chain  
Lashing points

### UNDERCARRIAGE

500 mm steel triple grouser shoes  
(CX210D NLC only)  
700 / 800 mm steel triple grouser shoes  
900 mm steel triple grouser shoes (CX210D for  
swamp)  
600 mm rubber link chains (CX210D only)  
Triple track guide

### TELEMATICS

Three years SiteWatch “Advanced” subscription with  
remote monitoring and one user’s licence



# CX D-SERIES

## CX210D

### ENGINE

Model \_\_\_\_\_ ISUZU AR-4HK1X  
 Type \_\_\_\_\_ Water-cooled, 4-cycle diesel, 4-cylinder in line, High pressure common rail system (electric control), Turbocharger with air cooled intercooler, SCR system.  
 Number of cylinders / Displacement (l) \_\_\_\_\_ 4 / 5,2  
 Emissions level \_\_\_\_\_ Tier 4 final / Eu stage IV  
 Bore & stroke (mm) \_\_\_\_\_ 115 mm x 125  
**Rated flywheel horse power**  
 SAE J 1349, ISO 9249 (kW / hp) \_\_\_\_\_ 119.3 / 160 at 1800 min<sup>-1</sup>  
 ISO 14396 (kW / hp) \_\_\_\_\_ 124 / 166 at 1800 min<sup>-1</sup>  
**Maximum torque**  
 SAE J 1349, ISO 9249 (Nm) \_\_\_\_\_ 620 at 1600 min<sup>-1</sup>  
 ISO 14396 (Nm) \_\_\_\_\_ 636 at 1600 min<sup>-1</sup>

### HYDRAULIC SYSTEM

Main pumps \_\_\_\_\_ 2 variable displacement axial piston pumps with regulating system  
 Max. oil flow (liter/min) \_\_\_\_\_ 2 x 211 at 1800 min<sup>-1</sup>  
**Working circuit pressure**  
 Boom/Arm/Bucket (MPa) \_\_\_\_\_ 34.3 - 37.3 with auto power boost  
 Swing circuit (MPa) \_\_\_\_\_ 29.4  
 Travel circuit (MPa) \_\_\_\_\_ 34.3  
 Pilot pump (liter/min) \_\_\_\_\_ 18  
 Working circuit pressure (MPa) \_\_\_\_\_ 3.9  
**Boom Cylinders**  
 Bore (mm) \_\_\_\_\_ 120  
 Stroke (mm) \_\_\_\_\_ 1255  
**Boom Positioning (2 piece boom only)**  
 Bore (mm) \_\_\_\_\_ 150  
 Stroke (mm) \_\_\_\_\_ 1090  
**Arm Cylinder**  
 Bore (mm) \_\_\_\_\_ 140  
 Stroke (mm) \_\_\_\_\_ 1460  
**Bucket Cylinder**  
 Bore (mm) \_\_\_\_\_ 120  
 Stroke (mm) \_\_\_\_\_ 1010

### SWING

Swing Motor \_\_\_\_\_ Fixed displacement axial piston motor  
 Maximum swing speed (min<sup>-1</sup>) \_\_\_\_\_ 11.5  
 Swing torque (Nm) \_\_\_\_\_ 64,000

### PERFORMANCE DATA MONO LC-NLC

		Arm 2.40 m	HD arm 1.90 m	Arm 2.95 m
Boom length	mm	5700	5700	5700
Bucket radius	mm	1450	1450	1450
Bucket wrist action	°	177	177	177
A Maximum reach at GRP	mm	9240	8770	9730
B Maximum reach	mm	9420	8960	9900
C Max. digging depth	mm	6110	5610	6650
D Max. digging height	mm	9390	9140	9610
E Max. dumping height	mm	6590	6330	6810
F Min. swing radius	mm	3620	3590	3660

### DIGGING FORCE (ISO 6015)

		Arm 2.40 m	HD arm 1.90 m	Arm 2.95 m
Arm digging force	kN	123	142	103
with Auto power boost	kN	133	154	112
Bucket digging force	kN	142	142	142
with Auto power boost	kN	154	154	154

### FILTERS

Suction filter (µm) \_\_\_\_\_ 105  
 Return filter (µm) \_\_\_\_\_ 6  
 Pilot line filter (µm) \_\_\_\_\_ 8

### ELECTRICAL SYSTEM

Voltage (V) \_\_\_\_\_ 24  
 Alternator (Amp) \_\_\_\_\_ 50  
 Starter (V - kW) \_\_\_\_\_ 24 - 5.0  
 Battery \_\_\_\_\_ 2 x 12 V 128 Ah/5 HR

### UNDERCARRIAGE

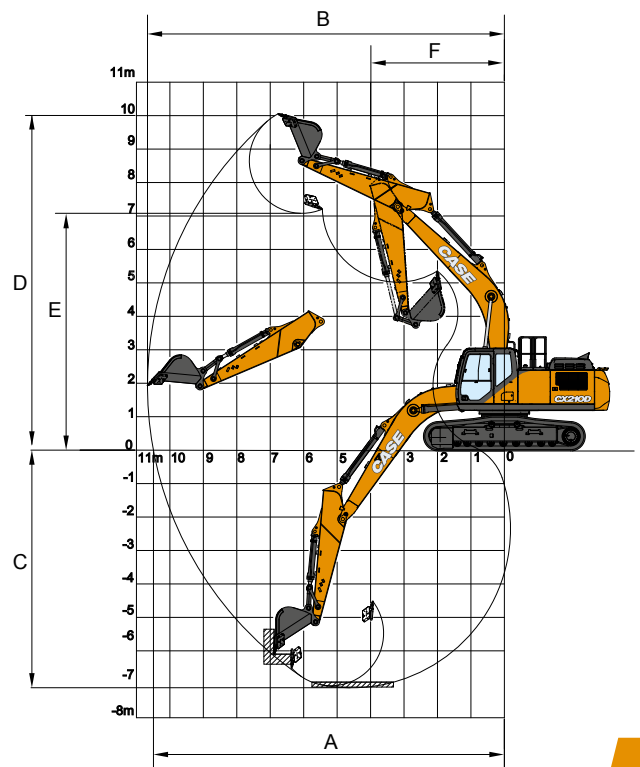
Travel motor \_\_\_\_\_ Variable displacement axial piston motor  
 High travel speed (Automatic travel speed shifting) (km/h) \_\_\_\_\_ 5.6  
 Low travel speed (km/h) \_\_\_\_\_ 3.4  
 Drawbar pull (kN) \_\_\_\_\_ 188  
 Number of carrier rollers (each side) \_\_\_\_\_ 2  
 Number of track rollers (each side) \_\_\_\_\_ 8  
 Number of shoes (each side) \_\_\_\_\_ 49  
 Type of shoes \_\_\_\_\_ Triple grouser shoes  
 Grade ability \_\_\_\_\_ 70 % (35°)

### SOUND LEVEL

External guaranteed sound level  
 (EU Directive 2000/14/EC) (dB(A)) \_\_\_\_\_ LwA 101  
 Operator cab sound pressure level (ISO 6396) (dB(A)) \_\_\_\_\_ LpA 69

### CIRCUIT AND COMPONENT CAPACITIES

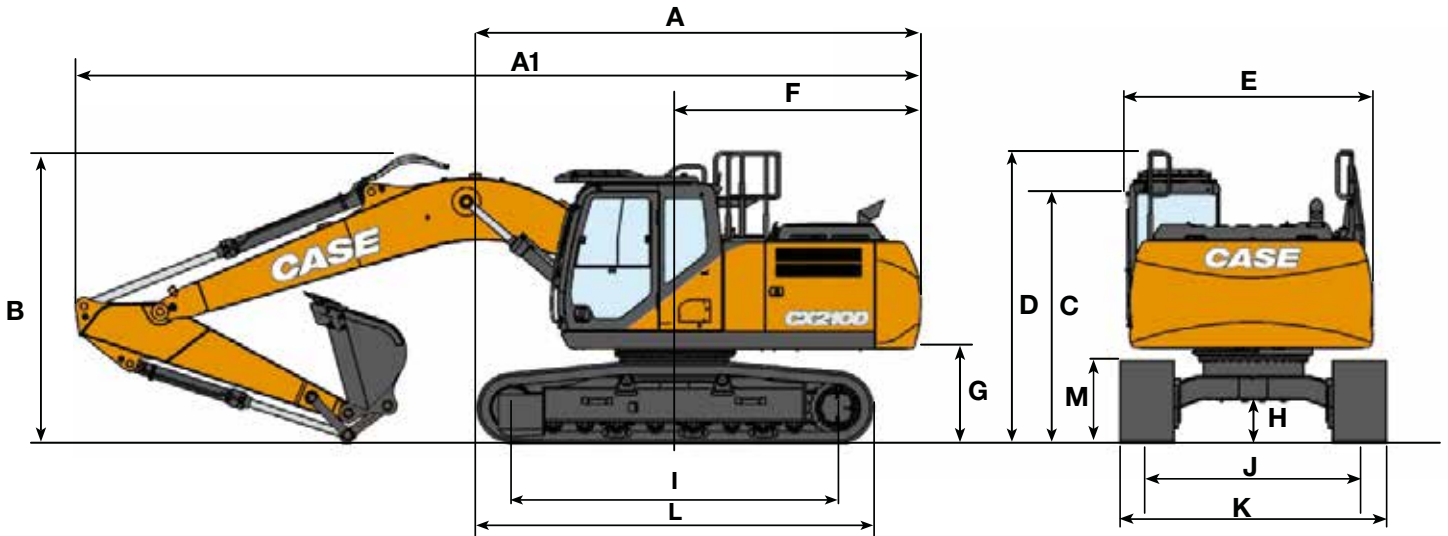
	LC	NLC
Fuel tank (l) _____	410	320
Hydraulic system (l) _____	250	220
Hydraulic tank (l) _____	147	117
Adblue tank (l) _____	120	85



# CX D-SERIES

## CX210D

### GENERAL DIMENSIONS MONO LC-NLC



		Arm 2.40 m	HD arm 1.90 m	Arm 2.95 m
A	Overall length (without attachment) (LC/NLC)	mm	5000 / 5150	5000 / 5150
A1	Overall length (with attachment) (LC/NLC)	mm	9510 / 9660	9430 / 9580
B	Overall height (to top of boom)	mm	3190	3010
C	Cab height	mm	3100	3100
D	Overall height (to top of guardrail)	mm	3310	3310
E	Upper structure overall width (LC/NLC)	mm	2770 / 2530	2770 / 2530
F	Swing (rear end radius) (LC/NLC)	mm	2790 / 2920	2790 / 2920
G	Clearance height under upper structure (LC/NLC)	mm	1050 / 1080	1050 / 1080
H	Minimum ground clearance (LC/NLC)	mm	440 / 430	440 / 430
I	Wheel base (Center to center of wheels)	mm	3660	3660
L	Crawler overall length	mm	4460	4460
M	Crawler tracks height	mm	920	920
J	Track gauge (LC/NLC)	mm	2390 / 1990	2390 / 1990
K	Undercarriage overall width (LC with 600 mm shoes / NLC with 500 mm shoes)	mm	2990 / 2490	2990 / 2490

### WEIGHT AND GROUND PRESSURE MONO LC

With 2.40 m arm, 1.0 m<sup>3</sup> bucket, operator, lubricant, coolant, full fuel tank and FOPS protection level 2.

LC	Weight	Ground pressure
600 mm grouser shoes	21700 kg	0.045 MPa
700 mm grouser shoes	22140 kg	0.040 MPa
800 mm grouser shoes	22440 kg	0.036 MPa

Counterweight 3920 kg

### WEIGHT AND GROUND PRESSURE MONO NLC

With 2.40 m arm, 1.0 m<sup>3</sup> Sumitomo bucket, operator, lubricant, coolant and full fuel tank and top guard OPG level 2

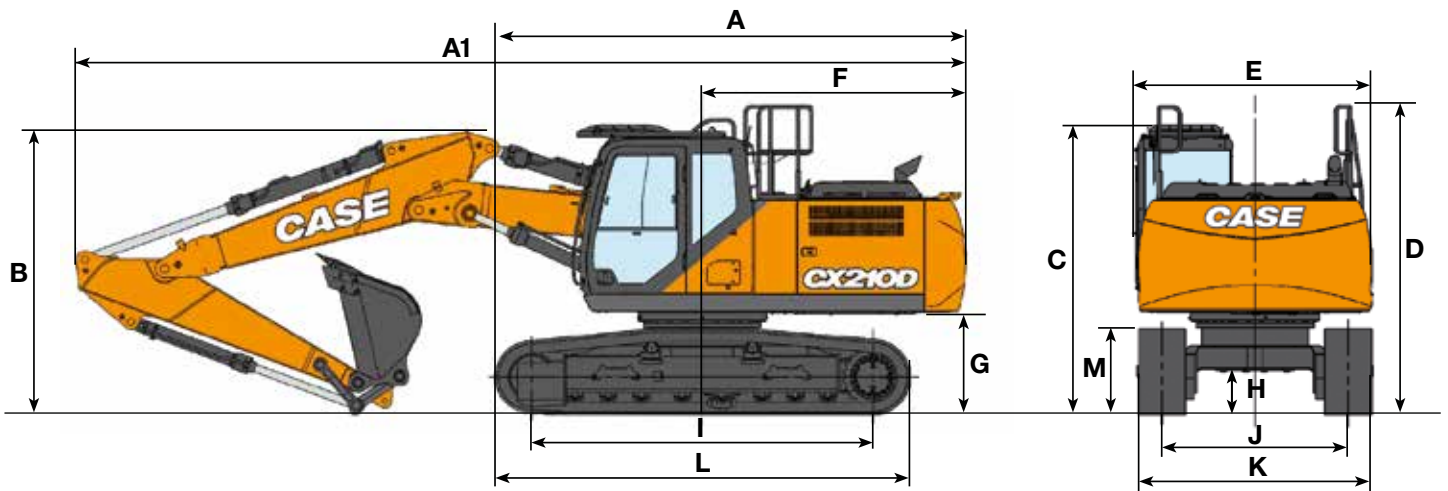
NLC	Weight	Ground pressure
500 mm grouser shoes	21750 kg	0.054 MPa

Counterweight mass 4100 kg



# SPECIFICATIONS

## GENERAL DIMENSIONS LC-NLC 2 PIECE BOOM



		Arm 2.40 m	HD arm 1.90 m	Arm 2.95 m
A	Overall length (without attachment) (LC/NLC)	mm 5000 / 5150	5000 / 5150	5000 / 5150
A1	Overall length (with attachment) (LC/NLC)	mm 9480/9630	9520 / 9660	9430 / 9570
B	Overall height (to top of boom)	mm 3040	2950	2890
C	Cab height	mm 3100	3100	3100
D	Overall height (to top of guardrail)	mm 3310	3310	3310
E	Upper structure overall width (LC/NLC)	mm 2770 / 2530	2770 / 2530	2770 / 2530
F	Swing (rear end radius) (LC/NLC)	mm 2790 / 2920	2790 / 2920	2790 / 2920
G	Clearance height under upper structure (LC/NLC)	mm 1050 / 1080	1050 / 1080	1050 / 1080
H	Minimum ground clearance (LC/NLC)	mm 440 / 430	440 / 430	440 / 430
I	Wheel base (Center to center of wheels)	mm 3660	3660	3660
L	Crawler overall length	mm 4460	4460	4460
M	Crawler tracks height	mm 920	920	920
J	Track gauge (LC/NLC)	mm 2390 / 1990	2390 / 1990	2390 / 1990
K	Undercarriage overall width (LC with 600 mm shoes / NLC with 500 mm shoes)	mm 2990 / 2490	2990 / 2490	2990 / 2490

## PERFORMANCE DATA LC-NLC 2 PIECE BOOM

		Arm 2.40 m	Arm 1.90 m	Arm 2.95 m
1 <sup>st</sup> boom length	mm	2960	2960	2960
2 <sup>nd</sup> boom length	mm	2790	2790	2790
Bucket radius	mm	1450	1450	1450
Bucket wrist action	°	177	177	177
A	Maximum reach at GRP	mm 9220	8760	9730
B	Maximum reach	mm 9420	8950	9900
C	Max. digging depth	mm 5800	5310	6320
D	Max. digging height	mm 10580	10210	10940
E	Max. dumping height	mm 7680	7320	8040
F	Min. swing radius	mm 2830	2830	2830

## WEIGHT AND GROUND PRESSURE

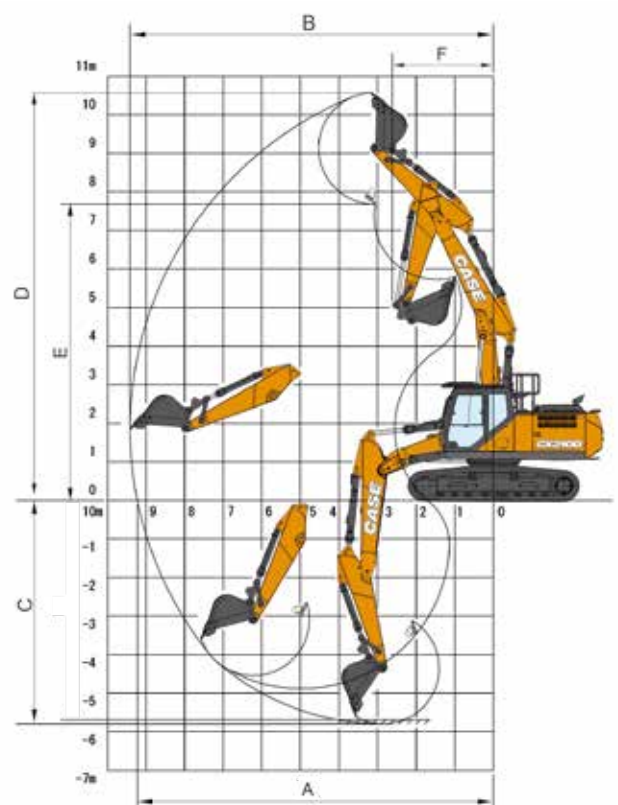
With 2.40 m Arm, 1.0 m<sup>3</sup> bucket, operator, lubricant, coolant, full fuel tank and FOPS protection level 2.

NLC - 2 PIECE BOOM	Weight	Ground pressure
500 mm grouser shoes	22550 kg	0.056 MPa

LC - 2 PIECE BOOM	Weight	Ground pressure
600 mm grouser shoes	22500 kg	0.047 MPa

Counterweight LC 3.920 kg

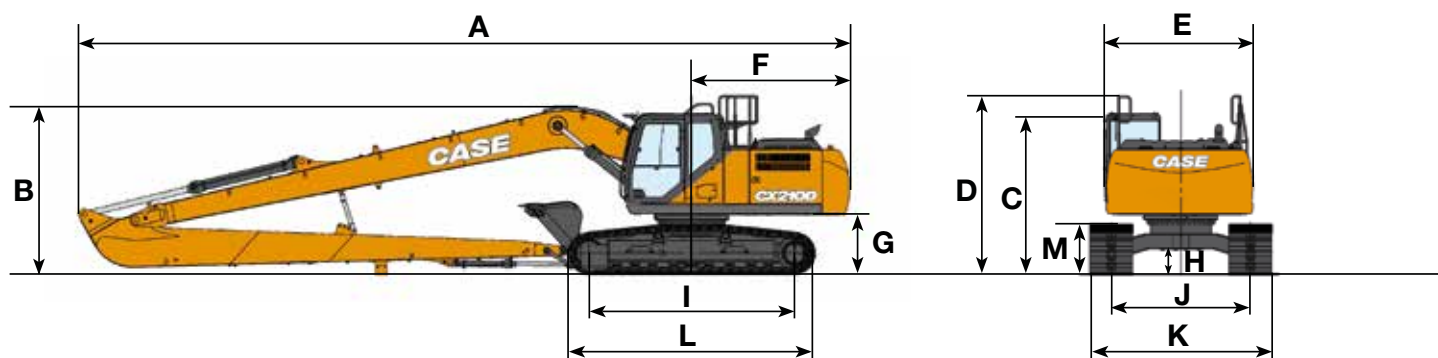
Counterweight NLC 4100 kg



# CX D-SERIES

## CX210D LONG REACH

### GENERAL DIMENSIONS



#### Arm 6.40 m

Overall length (without attachment)	mm	5000
A Overall length (with attachment)	mm	12520
B Overall height (to top of boom)	mm	3000
C Cab height	mm	2950
D Overall height (to top of guardrail)	mm	3280
E Upper structure overall width	mm	2770
F Swing (rear end radius)	mm	2790
G Clearance height under upper structure	mm	1050
H Minimum ground clearance	mm	440
I Wheel base (Center to center of wheels)	mm	3660
L Crawler overall length	mm	4470
M Crawler tracks height	mm	920
J Track gauge	mm	2390
K Undercarriage overall width (NLC with 800 mm shoes)	mm	3190

### DIGGING FORCE (ISO 6015)

#### Arm 6.40 m

Arm digging force	46 kN
Bucket digging force	65 kN

### PERFORMANCE DATA

#### Arm 6.40 m

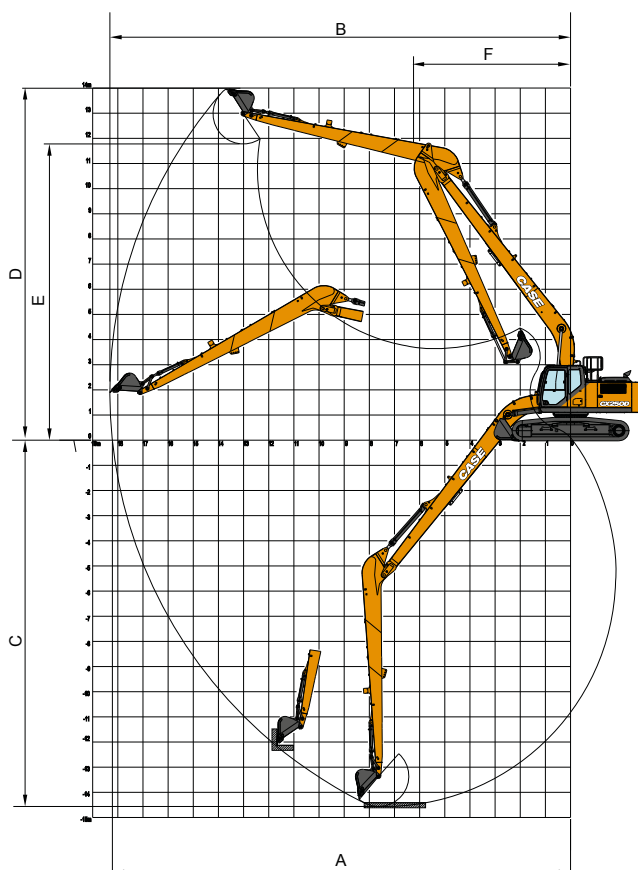
Boom length	mm	8700
Bucket radius	mm	1200
Bucket wrist action		178°
A Maximum reach at GRP	mm	15490
B Maximum reach	mm	15600
C Max. digging depth	mm	12010
D Max. digging height	mm	12970
E Max. dumping height	mm	10730
F Min. swing radius	mm	5190

### WEIGHT AND GROUND PRESSURE

With 6.40 m arm, 0.37 m<sup>3</sup> bucket, operator, lubricant, coolant, full fuel tank and FOPS protection level 2.

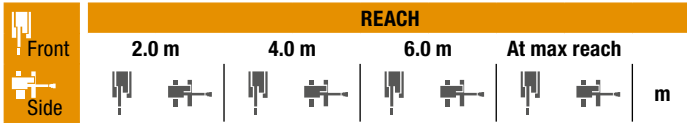
	Weight	Ground pressure
800 mm grouser shoes	23600 kg	0.037 MPa

Counterweight 4.700 kg



# LIFTING CAPACITY

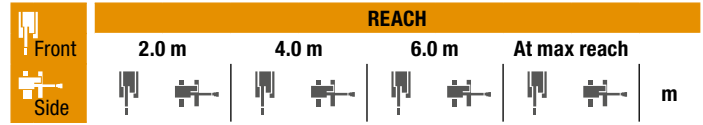
## CX210D MONO



### LC UNDERCARRIAGE

Short arm 2.40 m, 600 mm shoes, max reach 7.97 m

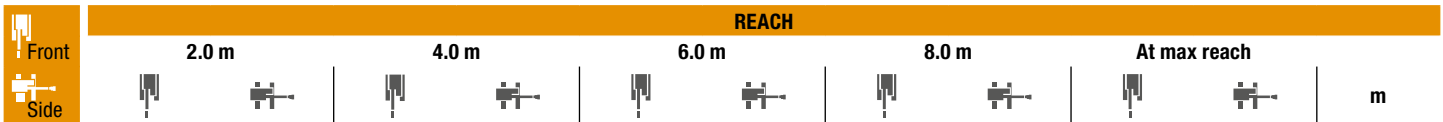
8.0 m						5390*	5390*	4.98
6.0 m				5570*	5310	5510*	4340	6.77
4.0 m			8420*	8420*	6270*	5080	5520	7.66
2.0 m			11610*	8400	7370	4770	4810	7.97
0 m			12600*	8080	7130	4560	4920	7.76
-2.0 m	10000*	10000*	11920*	8110	7100	1530	5730	6.98
-4.0 m			9450*	8400			6730*	5.39



### LC UNDERCARRIAGE

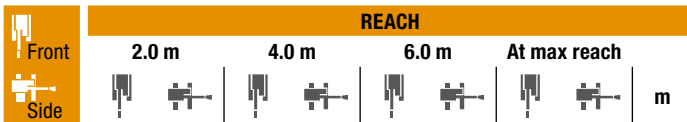
S-Short arm 1.90 m, 600 mm shoes, max reach 7.51 m

6.0 m						6180*	5250	6230*	4940	6.22
4.0 m						9380*	9190	6730*	5060	7.18
2.0 m								7370	4780	7.51
0 m								12180*	8170	7.28
-2.0 m								11510*	8260	6.45
-4.0 m								8320*	8320*	4.68



### LC UNDERCARRIAGE - Standard arm 2.95 m, 600 mm shoes, max reach 8.45 m

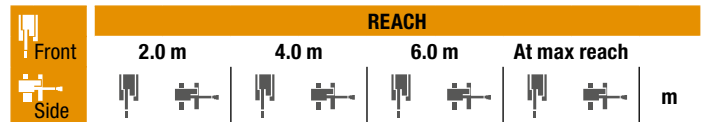
8.0 m									4170*	4170*	5.72
6.0 m									5020*	5020*	7.33
4.0 m				7470*	7470*	5820*	5170	4650*	3290	3660*	8.16
2.0 m				10820*	8610	7040*	4830	4800	3180	3870*	8.45
0 m				12470*	8120	7160	4570	4700	3090	4390*	8.25
-2.0 m	9340*	9340*		12280*	8060	7070	4490			5110	7.53
-4.0 m	17360*	17360*		10430*	8270	6680*	4640			6510*	6.09



### NLC UNDERCARRIAGE

Short arm 2.40 m, 500 mm shoes, max reach 7.97 m

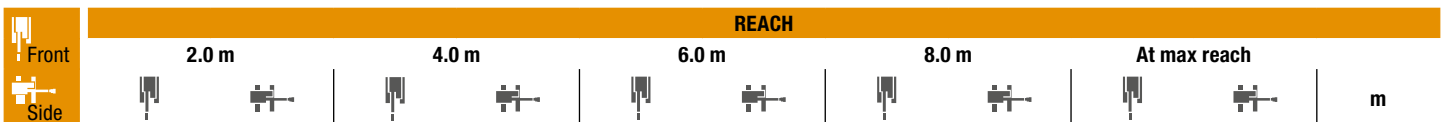
8.0 m						5920*	5920*	5.01	
6.0 m				5570*	4680	5500*	3810	6.79	
4.0 m			8470*	8030	6290*	4460	5390	7.67	
2.0 m			11640*	7120	7390*	4160	4980	7.97	
0 m			12590*	6830	7390	3960	5110	7.75	
-2.0 m	10140*	10140*	11890*	6870	7360	3930	5960	6.96	
-4.0 m			9380*	7140			6720*	4800	5.36



### NLC UNDERCARRIAGE

S-Short arm 1.90 m, 500 mm shoes, max reach 7.51 m

6.0 m						6180*	4630	6220*	4330	6.24
4.0 m						9430*	7860	6740*	4440	7.19
2.0 m								7630	4170	7.51
0 m								12360*	6920	7.27
-2.0 m								11480*	7010	6.43
-4.0 m								8230*	7360	4.65



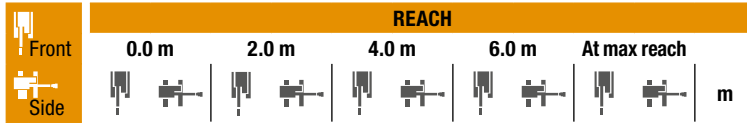
### NLC UNDERCARRIAGE - Standard arm 2.95 m, 500 mm shoes, max reach 8.45 m

8.0 m									4170*	4170*	5.75
6.0 m									5030*	4780	7.35
4.0 m				7520*	7520*	5840*	4540	4690*	2900	3660*	8.17
2.0 m				10860*	7320	7050*	4210	4970	2790	3870*	8.45
0 m				12480*	6860	7410	3970	4870	2700	4400*	8.24
-2.0 m	9440*	9440*		12270*	6810	7320	3900			5320	7.51
-4.0 m	17260*	17260*		10380*	7010	6630*	4050			6510*	6.06

\* The above loads (kg) are compliant to the ISO standards and refer to the excavator equipped without bucket. The indicated loads are no more than 87% of hydraulic system lifting capacity or 75% of static tipping load. Values marked with an asterisk (\*) are limited by the hydraulic lifting capacity.

# LIFTING CAPACITY

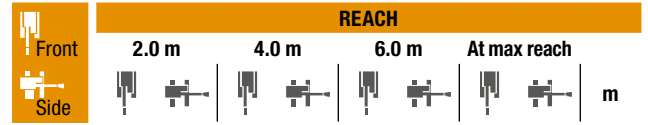
## CX210D 2 PIECE BOOM



### LC UNDERCARRIAGE

Short arm 2.40 m, 600 mm shoes, max reach 7.97 m

Height	0.0 m	2.0 m	4.0 m	6.0 m	At max reach
8.0 m			7330*	7330*	6360* 6360* 4.97
6.0 m			7450*	7450*	5770* 5470 4930* 4330 6.77
4.0 m			9580*	9570*	6170* 5390 4490* 3430 7.66
2.0 m		10540*	10540*	12330*	9320 7210* 5170 4480* 3120 7.96
0 m		15390*	15390*	12410*	8800 7400 4800 4830* 3160 7.75
-2.0 m	17410*	17410*	24690*	24690*	12660* 8420 7180 4540 5130* 3670 6.98
-4.0 m		18900*	18900*	8680*	8390



### LC UNDERCARRIAGE

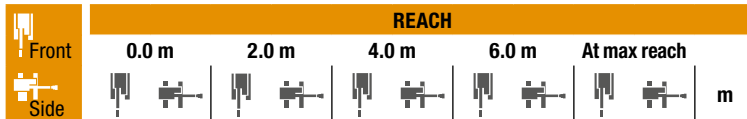
S-Short arm 1.90 m, 600 mm shoes, max reach 7.50 m

Height	2.0 m	4.0 m	6.0 m	At max reach
8.0 m		8180*	8180*	7750* 7750* 4.18
6.0 m		8060*	8060*	6200* 5290 5650* 4940 6.21
4.0 m		10830*	9660	6590* 5660 5080* 3810 7.18
2.0 m		12410*	9460*	7540 5070 5060* 3440 7.5
0 m	16090*	16090*	12550*	8740 11610* 7460 5420 3520 7.27
-2.0 m	24810*	24810*	12590*	8490 6920* 4590 5270* 4180 6.44



### LC UNDERCARRIAGE - Standard arm 2.95 m, 600 mm shoes, max reach 8.45 m

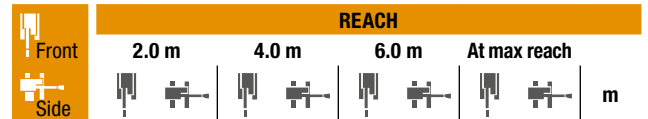
Height	0.0 m	2.0 m	4.0 m	6.0 m	8.0 m	At max reach
8.0 m						4230* 4230* 5.73
6.0 m				5390*	5390*	3730* 3730* 7.34
4.0 m		17100*	17100*	8560*	8560*	5820* 5440* 4280* 3280 3650* 3140 8.17
2.0 m		18050*	18050*	12000*	9410	6820* 5330 4830 3180 3840* 2870 8.45
0 m	12910*	12910*	15240*	15240*	12370*	8980 7400 4930 4960 3040 4300* 2900 8.25
-2.0 m	14060*	14060*	20570*	20570*	12560*	8450 7220 4580 5020* 3280 7.53
-4.0 m	14600*	14600*	22650*	22650*	10680*	8310



### NLC UNDERCARRIAGE

Short arm 2.40 m, 500 mm shoes, max reach 7.97 m

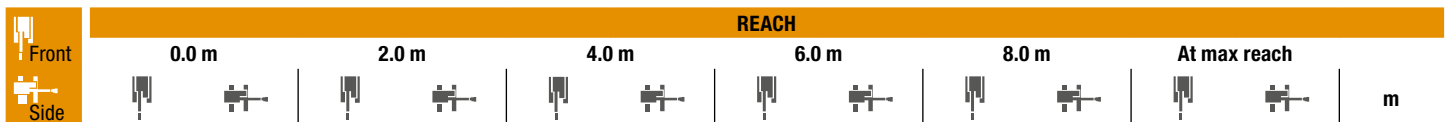
Height	0.0 m	2.0 m	4.0 m	6.0 m	At max reach
8.0 m			7310*	7310*	6320* 6260 5.01
6.0 m			7460*	7460*	5770* 4820 4910* 3780 6.78
4.0 m			9630*	8550	6190* 4800 4490* 3000 7.67
2.0 m		10390*	10390*	12340*	8320 7230* 4540 4480* 2720 7.97
0 m		15510*	15510*	12410*	7460 7660 4170 4840* 2750 7.75
-2.0 m	17460*	17460*	24850*	23290	12660* 7120 7460 3920 5110* 3190 6.96
-4.0 m		18640*	18640*	8540*	7090



### NLC UNDERCARRIAGE

S-Short arm 1.90 m, 500 mm shoes, max reach 7.50 m

Height	2.0 m	4.0 m	6.0 m	At max reach
8.0 m		8200*	8200*	7680* 7680* 4.22
6.0 m		8080*	8080*	6210* 4650 5630* 4310 6.23
4.0 m		10910*	8540	6600* 4950 5080* 3330 7.18
2.0 m		12420*	8150	7670* 4430 5060* 3000 7.5
0 m	16290*	16290*	12550*	7410 11320* 6160 5510* 3060 7.27
-2.0 m	24760*	23570	12560*	7180 6850* 3980 5250* 3640 6.42



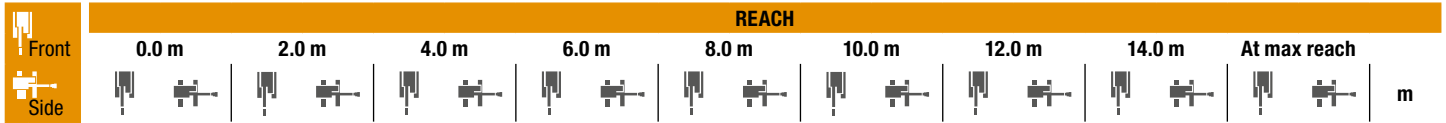
### NLC UNDERCARRIAGE - Standard arm 2.95 m, 500 mm shoes, max reach 8.45 m

Height	0.0 m	2.0 m	4.0 m	6.0 m	8.0 m	At max reach
8.0 m						4210* 4210* 5.76
6.0 m				5390*	5000	3720* 3380 7.35
4.0 m		17150*	17150*	8610*	8550	5830* 4880* 4290* 2870 3650* 2740 8.17
2.0 m		18110*	18110*	12020*	8220	6830* 4680 5970* 3340 3840* 2500 8.45
0 m	12810*	12810*	15290*	15290*	12370*	7620 7640 4290 4880 2650 4300* 2520 8.25
-2.0 m	14100*	14100*	20660*	20660*	12570*	7140 7510 3960 5010* 2850 7.51
-4.0 m		22520*	22520*	10590*	7010	

\* The above loads (kg) are compliant to the ISO standards and refer to the excavator equipped without bucket. The indicated loads are no more than 87% of hydraulic system lifting capacity or 75% of static tipping load. Values marked with an asterisk (\*) are limited by the hydraulic lifting capacity.

# LIFTING CAPACITY

## CX210D LONG REACH



### LC UNDERCARRIAGE - Super long arm 6.40 m, 800 mm shoes, max reach 14.40 m

REACH	0.0 m	2.0 m	4.0 m	6.0 m	8.0 m	10.0 m	12.0 m	14.0 m	At max reach	m								
10.0 m									1360*	1360*	11.83							
8.0 m							2130*	2010			13							
6.0 m						2280*	2280*	2220*	1940		13.77							
4.0 m					2940*	2940*	2610*	2550	2410*	1830	1740*	1320	1340*	1270	14.23			
2.0 m			6950*	6950*	4810*	4810*	3610*	3280	2990*	2330	2640*	1700	2040	1260	1410*	1190	14.4	
0 m			3660*	3660*	5890*	4290	4230*	2920	3330	2120	2520	1580	1970	1200	1530*	1150	14.28	
-2.0 m		2280*	2280*	3940*	3940*	6530	3920	4330	2680	3160	1960	2430	1490		1730*	1180	13.88	
-4.0 m	2950*	2950*	3320*	3320*	4890*	4890*	6380	3780	4190	2550	3070	1870	2380	1440		2030*	1270	13.16
-6.0 m	3840*	3840*	4470*	4470*	6230*	6230*	6400	3810	4180	2540	3060	1870	2410	1470		2390	1460	12.07
-8.0 m		5800*	5800*	8080*	7380	6090*	3960	4290	2640	3170	1960				2980	1860	10.49	
-10 m				6810*	6810*	4830*	4280	3460*	2900						3360*	2840	8.14	

## CX210D LC

### GENERAL PURPOSE BUCKET (DIRECT MOUNT)

CAPACITY m <sup>3</sup> (ISO7451 HEAPED)	WIDTH mm	WEIGHT kg	ARM 1.91 m	ARM 2.40 m	ARM 2.94 m
0.44	600	540	○	○	○
0.59	750	610	○	○	○
0.75	900	660	○	○	○
0.85	1000	700	○	○	○
0.96	1100	750	○	○	○
1.01	1200	790	○	○	●
1.23	1350	870	●	●	■
1.39	1500	930	●	■	■

### HEAVY DUTY BUCKETS (PIN ON)

CAPACITY m <sup>3</sup> (ISO7451 HEAPED)	WIDTH mm	WEIGHT kg	ARM 1.91 m	ARM 2.40 m	ARM 2.94 m
0.44	600	590	○	○	○
0.59	750	640	○	○	○
0.75	900	720	○	○	○
0.85	1000	760	○	○	○
0.96	1100	800	○	○	●
1.01	1200	850	○	○	●
1.23	1350	920	●	●	■
1.39	1500	1000	■	■	■

### ROCK BUCKETS (PIN ON)

CAPACITY m <sup>3</sup> (ISO7451 HEAPED)	WIDTH mm	WEIGHT kg	ARM 1.91 m	ARM 2.40 m	ARM 2.94 m
0.44	600	610	○	○	○
0.59	750	670	○	○	○
0.75	900	740	○	○	○
0.85	1000	780	○	○	○
0.96	1100	820	○	○	●
1.01	1200	890	○	○	●
1.23	1350	940	●	●	■

### TILTABLE DITCH CLEANING BUCKETS (PIN ON)

CAPACITY m <sup>3</sup> (ISO7451 HEAPED)	WIDTH mm	WEIGHT kg	ARM 1.91 m	ARM 2.40 m	ARM 2.94 m
0.56	1500	710	○	○	○
0.68	1800	770	○	○	○
0.75	2000	810	○	○	○
0.83	2200	880	○	○	●
0.91	2400	920	○	●	●
0.95	2500	950	○	●	●

### DITCH CLEANING BUCKETS (PIN ON)

CAPACITY m <sup>3</sup> (ISO7451 HEAPED)	WIDTH mm	WEIGHT kg	ARM 1.91 m	ARM 2.40 m	ARM 2.94 m
0.86	1830	520	○	○	○
		650*	○	○	○
0.94	2130	570	○	○	○
		710*	○	○	○

### FP DITCH CLEANING BUCKETS (QUICK COUPLED)

CAPACITY m <sup>3</sup> (ISO7451 HEAPED)	WIDTH mm	WEIGHT kg	ARM 1.91 m	ARM 2.40 m	ARM 2.94 m
0.86	1830	560	○	○	○
		690*	○	○	●
0.94	2130	610	○	○	●
		750*	○	●	●

\* with bolt-on cutting edge

○ Rated material density up to 2 ton/m<sup>3</sup> ● Rated material density up to 1.6 ton/m<sup>3</sup> ■ Rated material density up to 1.2 ton/m<sup>3</sup> × Not applicable

# BUCKETS

## GP SCOOP BUCKETS (QUICK COUPLED)

CAPACITY m <sup>3</sup> (ISO7451 HEAPED)	WIDTH mm	WEIGHT kg	ARM 1.91 m	ARM 2.40 m	ARM 2.94 m
0.44	600	520	○	○	○
0.59	750	580	○	○	○
0.75	900	650	○	○	○
0.85	1000	680	○	○	●
0.96	1100	730	○	●	●
1.01	1200	770	○	●	■
1.23	1350	850	■	■	■
1.39	1500	910	■	×	×

## HD SCOOP BUCKETS (QUICK COUPLED)

CAPACITY m <sup>3</sup> (ISO7451 HEAPED)	WIDTH mm	WEIGHT kg	ARM 1.91 m	ARM 2.40 m	ARM 2.94 m
0.44	600	580	○	○	○
0.59	750	630	○	○	○
0.75	900	710	○	○	○
0.85	1000	750	○	○	●
0.96	1100	790	○	●	●
1.01	1200	840	●	●	■
1.23	1350	910	■	■	■
1.39	1500	990	■	×	×

## ROCK SCOOP BUCKETS (QUICK COUPLED)

CAPACITY m <sup>3</sup> (ISO7451 HEAPED)	WIDTH mm	WEIGHT kg	ARM 1.91 m	ARM 2.40 m	ARM 2.94 m
0.44	600	600	○	○	○
0.59	750	650	○	○	○
0.75	900	730	○	○	○
0.85	1000	770	○	○	●
0.96	1100	800	○	●	●
1.01	1200	880	●	●	■
1.23	1350	930	■	■	×

## CX210D LC 2 PIECE BOOM

### GENERAL PURPOSE BUCKET (DIRECT MOUNT)

CAPACITY m <sup>3</sup> (ISO7451 HEAPED)	WIDTH mm	WEIGHT kg	ARM 1.91 m	ARM 2.40 m	ARM 2.94 m
0.44	600	540	○	○	○
0.59	750	610	○	○	○
0.75	900	660	○	○	○
0.85	1000	700	○	○	○
0.96	1100	750	○	○	●
1.01	1200	790	○	○	●
1.23	1350	870	●	●	■
1.39	1500	930	■	■	■

### HEAVY DUTY BUCKETS (PIN ON)

CAPACITY m <sup>3</sup> (ISO7451 HEAPED)	WIDTH mm	WEIGHT kg	ARM 1.91 m	ARM 2.40 m	ARM 2.94 m
0.44	600	590	○	○	○
0.59	750	640	○	○	○
0.75	900	720	○	○	○
0.85	1000	760	○	○	○
0.96	1100	800	○	○	●
1.01	1200	850	○	●	●
1.23	1350	920	●	■	■
1.39	1500	1000	■	■	×

### ROCK BUCKETS (PIN ON)

CAPACITY m <sup>3</sup> (ISO7451 HEAPED)	WIDTH mm	WEIGHT kg	ARM 1.91 m	ARM 2.40 m	ARM 2.94 m
0.44	600	610	○	○	○
0.59	750	670	○	○	○
0.75	900	740	○	○	○
0.85	1000	780	○	○	○
0.96	1100	820	○	○	●
1.01	1200	890	○	●	●
1.23	1350	940	●	■	■

### TILTABLE DITCH CLEANING BUCKETS (PIN ON)

CAPACITY m <sup>3</sup> (ISO7451 HEAPED)	WIDTH mm	WEIGHT kg	ARM 1.91 m	ARM 2.40 m	ARM 2.94 m
0.56	1500	710	○	○	○
0.68	1800	770	○	○	○
0.75	2000	810	○	○	○
0.83	2200	880	○	○	●
0.91	2400	920	○	●	●
0.95	2500	950	○	●	●

○ Rated material density up to 2 ton/m<sup>3</sup> ● Rated material density up to 1.6 ton/m<sup>3</sup> ■ Rated material density up to 1.2 ton/m<sup>3</sup> × Not applicable

## DITCH CLEANING BUCKETS (PIN ON)

CAPACITY m <sup>3</sup> (ISO7451 HEAPED)	WIDTH mm	WEIGHT kg	ARM 1.91 m	ARM 2.40 m	ARM 2.94 m
0.86	1830	520	○	○	○
		650*	○	○	○
0.94	2130	570	○	○	○
		710*	○	○	○

\* with bolt-on cutting edge

## GP SCOOP BUCKETS (QUICK COUPLED)

CAPACITY m <sup>3</sup> (ISO7451 HEAPED)	WIDTH mm	WEIGHT kg	ARM 1.91 m	ARM 2.40 m	ARM 2.94 m
0.44	600	520	○	○	○
0.59	750	580	○	○	○
0.75	900	650	○	○	○
0.85	1000	680	○	○	●
0.96	1100	730	○	●	●
1.01	1200	770	○	●	■
1.23	1350	850	■	■	■
1.39	1500	910	■	×	×

## ROCK SCOOP BUCKETS (QUICK COUPLED)

CAPACITY m <sup>3</sup> (ISO7451 HEAPED)	WIDTH mm	WEIGHT kg	ARM 1.91 m	ARM 2.40 m	ARM 2.94 m
0.44	600	600	○	○	○
0.59	750	650	○	○	○
0.75	900	730	○	○	○
0.85	1000	770	○	○	●
0.96	1100	800	○	●	■
1.01	1200	880	●	●	■
1.23	1350	930	■	■	×

## CX210D LONG REACH

### GENERAL PURPOSE BUCKET (PIN ON)

CAPACITY m <sup>3</sup> (ISO7451 HEAPED)	WIDTH mm	WEIGHT kg	ARM 6.40 m
0.21	450	250	○
0.31	600	290	○
0.41	750	330	○
0.52	900	360	●

### DITCH CLEANING BUCKET (DIRECT MOUNT)

CAPACITY m <sup>3</sup> (ISO7451 HEAPED)	WIDTH mm	WEIGHT kg	ARM 6.40 m
(**) 0.54	1830	350	●
		480 (*)	■

### FP DITCH CLEANING BUCKET (QUICK COUPLED)

CAPACITY m <sup>3</sup> (ISO7451 HEAPED)	WIDTH mm	WEIGHT kg	ARM 6.40 m
(**) 0.54	1830	370	■

(\*) with bolt-on cutting edge (\*\*) remove for road transport

## FP DITCH CLEANING BUCKETS (QUICK COUPLED)

CAPACITY m <sup>3</sup> (ISO7451 HEAPED)	WIDTH mm	WEIGHT kg	ARM 1.91 m	ARM 2.40 m	ARM 2.94 m
0.86	1830	560	○	○	○
		690*	○	○	●
0.94	2130	610	○	○	●
		750*	○	●	●

## HD SCOOP BUCKETS (QUICK COUPLED)

CAPACITY m <sup>3</sup> (ISO7451 HEAPED)	WIDTH mm	WEIGHT kg	ARM 1.91 m	ARM 2.40 m	ARM 2.94 m
0.44	600	580	○	○	○
0.59	750	630	○	○	○
0.75	900	710	○	○	○
0.85	1000	750	○	○	●
0.96	1100	790	○	●	■
1.01	1200	840	●	●	■
1.23	1350	910	■	■	×
1.39	1500	990	■	×	×

### GP SCOOP BUCKETS (QUICK COUPLED)

CAPACITY m <sup>3</sup> (ISO7451 HEAPED)	WIDTH mm	WEIGHT kg	ARM 6.40 m
0.21	450	250	○
0.31	600	280	○
0.41	750	310	●
0.52	900	360	■

### TILTABLE DITCH CLEANING BUCKET (DIRECT MOUNT)

CAPACITY m <sup>3</sup> (ISO7451 HEAPED)	WIDTH mm	WEIGHT kg	ARM 6.40 m
0.46	1500	640	■

○ Rated material density up to 2 ton/m<sup>3</sup> ● Rated material density up to 1.6 ton/m<sup>3</sup> ■ Rated material density up to 1.2 ton/m<sup>3</sup> × Not applicable

# BUCKETS

## CX210D NLC

### GENERAL PURPOSE BUCKET (DIRECT MOUNT)

CAPACITY m <sup>3</sup> (ISO7451 HEAPED)	WIDTH mm	WEIGHT kg	ARM 1.91 m	ARM 2.40 m	ARM 2.94 m
0.44	600	540	○	○	○
0.59	750	610	○	○	○
0.75	900	660	○	○	○
0.85	1000	700	○	○	●
0.96	1100	750	○	●	●
1.01	1200	790	○	●	■
1.23	1350	870	■	■	■
1.39	1500	930	■	×	×

### HEAVY DUTY BUCKETS (PIN ON)

CAPACITY m <sup>3</sup> (ISO7451 HEAPED)	WIDTH mm	WEIGHT kg	ARM 1.91 m	ARM 2.40 m	ARM 2.94 m
0.44	600	590	○	○	○
0.59	750	640	○	○	○
0.75	900	720	○	○	○
0.85	1000	760	○	○	●
0.96	1100	800	○	●	●
1.01	1200	850	●	●	■
1.23	1350	920	■	■	■
1.39	1500	1000	■	×	×

### ROCK BUCKETS (PIN ON)

CAPACITY m <sup>3</sup> (ISO7451 HEAPED)	WIDTH mm	WEIGHT kg	ARM 1.91 m	ARM 2.40 m	ARM 2.94 m
0.44	600	610	○	○	○
0.59	750	670	○	○	○
0.75	900	740	○	○	○
0.85	1000	780	○	○	●
0.96	1100	820	○	●	●
1.01	1200	890	●	●	■
1.23	1350	940	■	■	×

### TILTABLE DITCH CLEANING BUCKETS (PIN ON)

CAPACITY m <sup>3</sup> (ISO7451 HEAPED)	WIDTH mm	WEIGHT kg	ARM 1.91 m	ARM 2.40 m	ARM 2.94 m
0.56	1500	710	○	○	○
0.68	1800	770	○	○	○
0.75	2000	810	○	○	●
0.83	2200	880	○	●	●
0.91	2400	920	●	●	■
0.95	2500	950	●	■	■

### DITCH CLEANING BUCKETS (PIN ON)

CAPACITY m <sup>3</sup> (ISO7451 HEAPED)	WIDTH mm	WEIGHT kg	ARM 1.91 m	ARM 2.40 m	ARM 2.94 m
0.86	1830	520	○	○	○
		650*	○	○	○
0.94	2130	570	○	○	●
		710*	○	●	●

\* with bolt-on cutting edge

### FP DITCH CLEANING BUCKETS (QUICK COUPLED)

CAPACITY m <sup>3</sup> (ISO7451 HEAPED)	WIDTH mm	WEIGHT kg	ARM 1.91 m	ARM 2.40 m	ARM 2.94 m
0.86	1830	560	○	●	●
		690*	○	●	●
0.94	2130	610	○	●	■
		750*	●	●	■

### GP SCOOP BUCKETS (QUICK COUPLED)

CAPACITY m <sup>3</sup> (ISO7451 HEAPED)	WIDTH mm	WEIGHT kg	ARM 1.91 m	ARM 2.40 m	ARM 2.94 m
0.44	600	520	○	○	○
0.59	750	580	○	○	○
0.75	900	650	○	○	●
0.85	1000	680	○	●	●
0.96	1100	730	●	■	■
1.01	1200	770	●	■	■
1.23	1350	850	■	×	×

### HD SCOOP BUCKETS (QUICK COUPLED)

CAPACITY m <sup>3</sup> (ISO7451 HEAPED)	WIDTH mm	WEIGHT kg	ARM 1.91 m	ARM 2.40 m	ARM 2.94 m
0.44	600	580	○	○	○
0.59	750	630	○	○	○
0.75	900	710	○	○	●
0.85	1000	750	○	●	■
0.96	1100	790	●	■	■
1.01	1200	840	●	■	×
1.23	1350	910	■	×	×





# BUCKETS

## ROCK SCOOP BUCKETS (QUICK COUPLED)

CAPACITY m <sup>3</sup> (ISO7451 HEAPED)	WIDTH mm	WEIGHT kg	ARM 1.91 m	ARM 2.40 m	ARM 2.94 m
0.44	600	600	○	○	○
0.59	750	650	○	○	○
0.75	900	730	○	○	●
0.85	1000	770	●	●	■
0.96	1100	800	●	■	■
1.01	1200	880	■	■	×
1.23	1350	930	■	×	×

## CX210D NLC 2 PIECE BOOM

### GENERAL PURPOSE BUCKET (DIRECT MOUNT)

CAPACITY m <sup>3</sup> (ISO7451 HEAPED)	WIDTH mm	WEIGHT kg	ARM 1.91 m	ARM 2.40 m	ARM 2.94 m
0.44	600	540	○	○	○
0.59	750	610	○	○	○
0.75	900	660	○	○	○
0.85	1000	700	○	○	●
0.96	1100	750	○	●	●
1.01	1200	790	●	●	■
1.23	1350	870	■	■	×
1.39	1500	930	■	×	×

### HEAVY DUTY BUCKETS (PIN ON)

CAPACITY m <sup>3</sup> (ISO7451 HEAPED)	WIDTH mm	WEIGHT kg	ARM 1.91 m	ARM 2.40 m	ARM 2.94 m
0.44	600	518	○	○	○
0.59	750	574	○	○	○
0.75	900	642	○	○	○
0.85	1000	680	○	○	●
0.96	1100	730	○	●	●
1.01	1200	767	●	●	■
1.23	1350	846	■	■	×
1.39	1500	1000	■	×	×

### ROCK BUCKETS (PIN ON)

CAPACITY m <sup>3</sup> (ISO7451 HEAPED)	WIDTH mm	WEIGHT kg	ARM 1.91 m	ARM 2.40 m	ARM 2.94 m
0.44	600	610	○	○	○
0.59	750	670	○	○	○
0.75	900	740	○	○	○
0.85	1000	780	○	○	●
0.96	1100	820	●	●	■
1.01	1200	890	●	●	■
1.23	1350	940	■	■	×

### TILTABLE DITCH CLEANING BUCKETS (PIN ON)

CAPACITY m <sup>3</sup> (ISO7451 HEAPED)	WIDTH mm	WEIGHT kg	ARM 1.91 m	ARM 2.40 m	ARM 2.94 m
0.56	1500	710	○	○	○
0.68	1800	770	○	○	○
0.75	2000	810	○	○	●
0.83	2200	880	○	●	■
0.91	2400	920	●	■	■
0.95	2500	950	●	■	■

### DITCH CLEANING BUCKETS (PIN ON)

CAPACITY m <sup>3</sup> (ISO7451 HEAPED)	WIDTH mm	WEIGHT kg	ARM 1.91 m	ARM 2.40 m	ARM 2.94 m
0.86	1830	520	○	○	○
		650*	○	○	●
0.94	2130	570	○	○	●
		710*	○	●	●

### FP DITCH CLEANING BUCKETS (QUICK COUPLED)

CAPACITY m <sup>3</sup> (ISO7451 HEAPED)	WIDTH mm	WEIGHT kg	ARM 1.91 m	ARM 2.40 m	ARM 2.94 m
0.86	1830	560	○	●	●
		690*	○	●	■
0.94	2130	610	●	●	■
		750*	●	■	■

\* with bolt-on cutting edge

○ Rated material density up to 2 ton/m<sup>3</sup>

● Rated material density up to 1.6 ton/m<sup>3</sup>

■ Rated material density up to 1.2 ton/m<sup>3</sup>

× Not applicable

## GP SCOOP BUCKETS (QUICK COUPLED)

CAPACITY m <sup>3</sup> (ISO7451 HEAPED)	WIDTH mm	WEIGHT kg	ARM 1.91 m	ARM 2.40 m	ARM 2.94 m
0.44	600	520	○	○	○
0.59	750	580	○	○	○
0.75	900	650	○	○	●
0.85	1000	680	○	●	●
0.96	1100	730	●	■	■
1.01	1200	770	●	■	■
1.23	1350	850	■	×	×

## HD SCOOP BUCKETS (QUICK COUPLED)

CAPACITY m <sup>3</sup> (ISO7451 HEAPED)	WIDTH mm	WEIGHT kg	ARM 1.91 m	ARM 2.40 m	ARM 2.94 m
0.44	600	580	○	○	○
0.59	750	630	○	○	○
0.75	900	710	○	●	●
0.85	1000	750	○	●	■
0.96	1100	790	●	■	■
1.01	1200	840	■	■	×
1.23	1350	910	■	×	×

## ROCK SCOOP BUCKETS (QUICK COUPLED)

CAPACITY m <sup>3</sup> (ISO7451 HEAPED)	WIDTH mm	WEIGHT kg	ARM 1.91 m	ARM 2.40 m	ARM 2.94 m
0.44	600	600	○	○	○
0.59	750	650	○	○	○
0.75	900	730	○	○	○
0.85	1000	770	○	●	●
0.96	1100	800	●	●	■
1.01	1200	880	●	■	■
1.23	1350	930	■	■	×



www.casece.com  
**EXPERTS FOR THE REAL WORLD**  
**SINCE 1842**

**CASE**  
CONSTRUCTION



Form No. 20192GB - MediaCross Firenze - 08/20

**CNH INDUSTRIAL  
DEUTSCHLAND GMBH**  
Case Baumaschinen  
Benzstr. 1-3 - D-74076 Heilbronn  
DEUTSCHLAND

**CNH INDUSTRIAL  
MAQUINARIA SPAIN, S.A.**  
Avenida Aragón 402  
28022 Madrid - ESPAÑA

**CNH INDUSTRIAL FRANCE, S.A.**  
16-18 Rue des Rochettes  
91150 Morigny-Champigny  
FRANCE

**CNH INDUSTRIAL ITALIA SPA**  
via Plava, 80  
10135 Torino  
ITALIA

**CASE CONSTRUCTION EQUIPMENT**  
Cranes Farm Rd  
Basildon - SS14 3AD  
UNITED KINGDOM

**NOTE:** Standard and optional fittings can vary according to the demands and specific regulations of each country. The illustrations may include optional rather than standard fittings - consult your Case dealer. Furthermore, CNH Industrial reserves the right to modify machine specifications without incurring any obligation relating to such changes.

Conforms to directive 2006/42/EC

**CASE**  
**00800-2273-7373**

The call is free from a land line.  
Check in advance with your Mobile Operator if you will be charged. Toll free number not available from all calling areas.

